

## Megarevo integration guide



### Connect the cables and set the DIP Switch

Connect the power cables between inverter and battery or the Busbars as mentioned in Section 2 inverter connection. See the Figure 2.1.6.1 to check the position of Megarevo Battery Connectors.

A standard ethernet cable can be used for the communication since Megarevo inverter pin assignment is the same as Pytes V Series battery.



Figure 2.1.6.1 Megarevo Battery Connectors

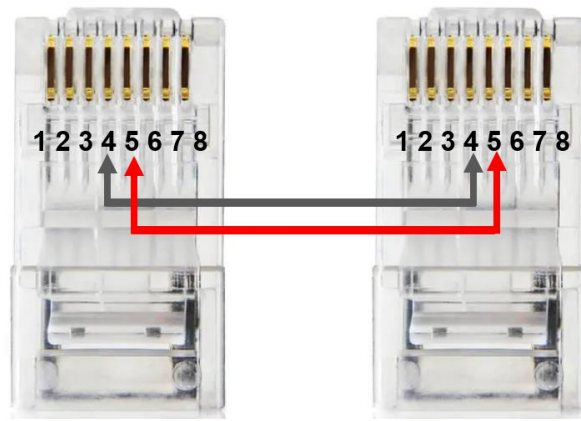


Figure 2.1.6.2 Megarevo ethernet cable



Figure 2.1.6.3 Megarevo DIP switch setting

Plug in the battery end into the **CAN port** of the Pytes V Series battery and plug in the inverter end into Megarevo **COM Port** as shown in the Figure 2.1.6.4.

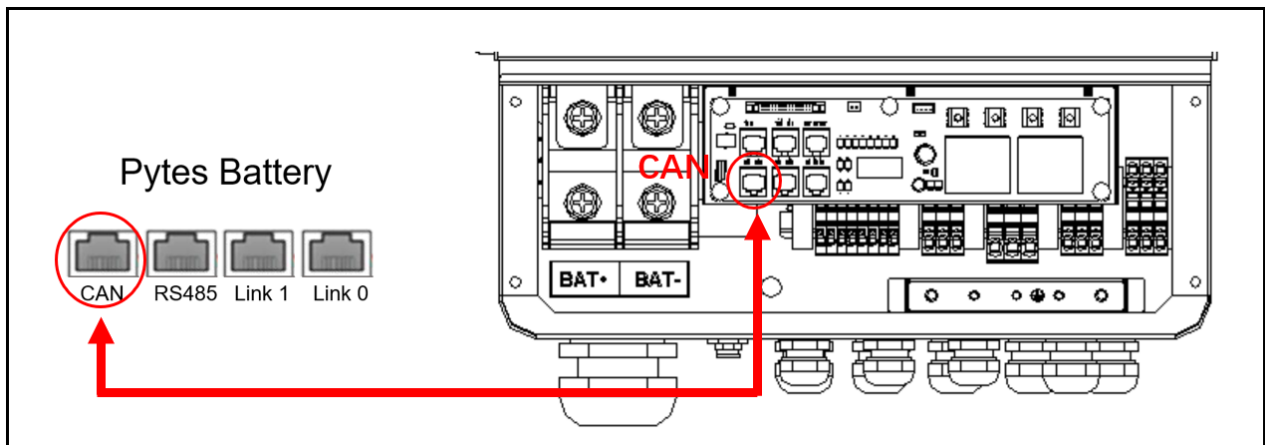


Figure 2.1.6.4 Megarevo inverter comm cable connection

## Program the inverter

The operation and display panel, shown in below chart, is on the front panel of the inverter. It includes four indicators, four function keys and LCD display, indicating the operating status and input/output power information. (shown in the Figure 2.1.6.5)

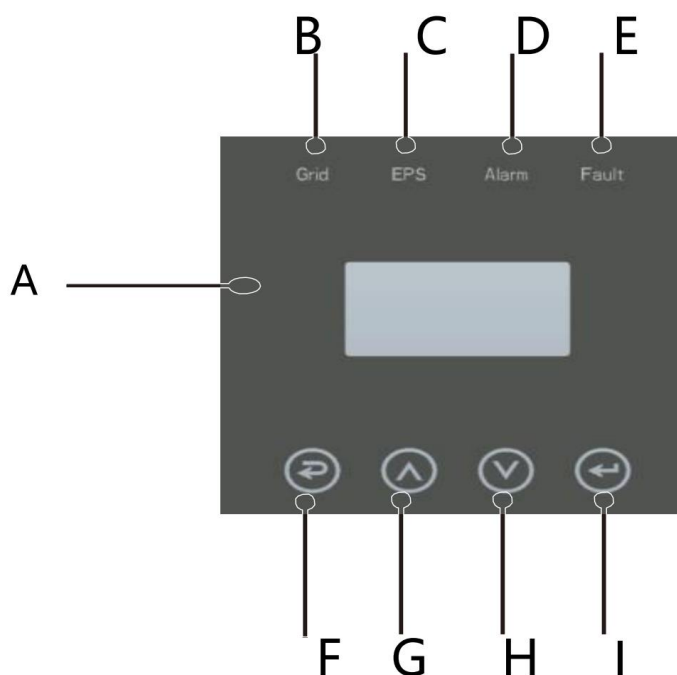


Figure 2.1.6.5 Megarevo operation panel

Object	Name	Description
A	LCD	Display the information of the inverter.
B	Indicator LED	lit in green: The inverter is in grid mode. Off: The inverter is in not in grid mode.
C		lit in green: The inverter is in off-grid mode. Off: The inverter is in not in off-grid mode.
D		lit in Yellow: The inverter is in Warning . Off: The inverter has no Inverter Warning
E		lit in red: The inverter is in fault status. Off: The inverter has no errors.
F	Function Button	Esc: Return from current interface or function.
G		Up: Move cursor to upside or increase value.
H		Down: Move cursor to downside or decrease value.
I		Enter: Confirm the selection.

Figure 2.1.6.6 Megarevo operation panel description

STEP 1 Set up the mode according to the local power grid, PV input mode and battery type.

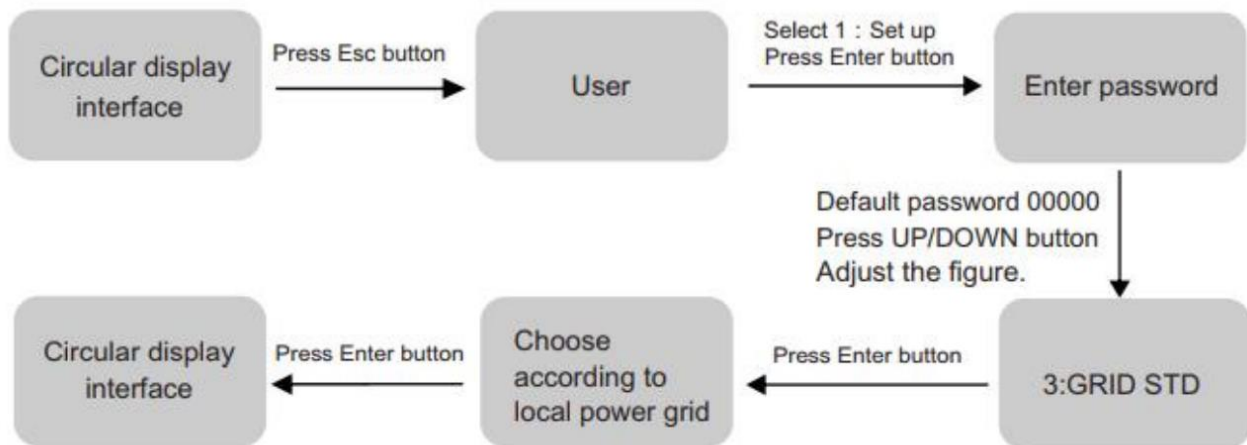


Figure 2.1.6.7 Power grid setting

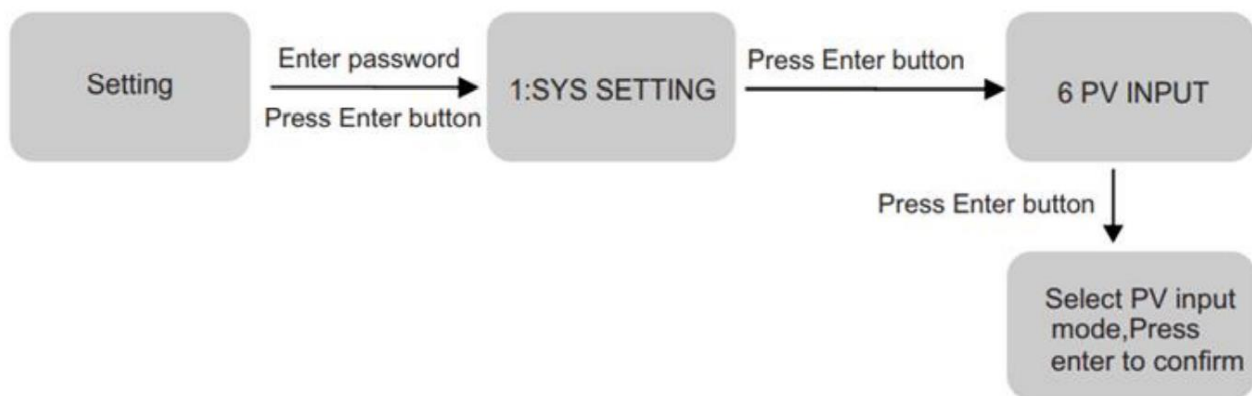


Figure 2.1.6.8 PV input setting

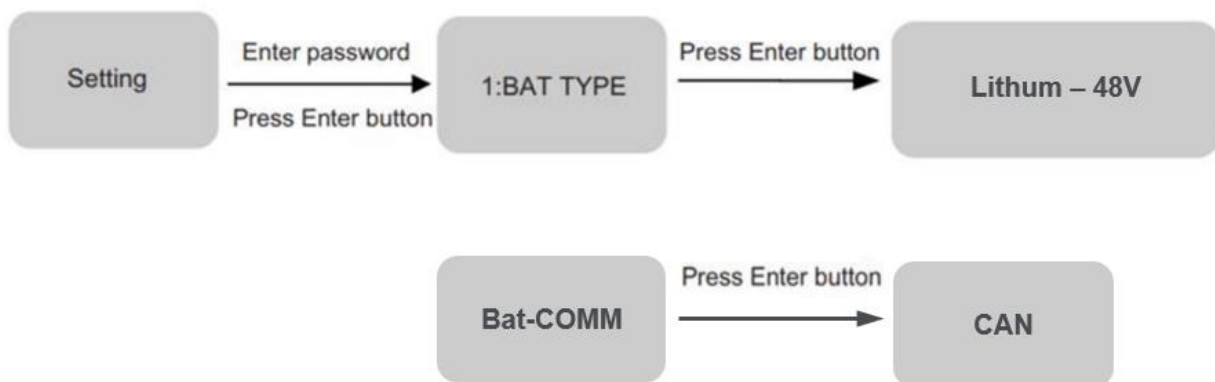


Figure 2.1.6.9 Battery parameters setting

STEP 2 More settings can be made according to the usage scenario, the setting options are shown in figure 2.1.6.10.

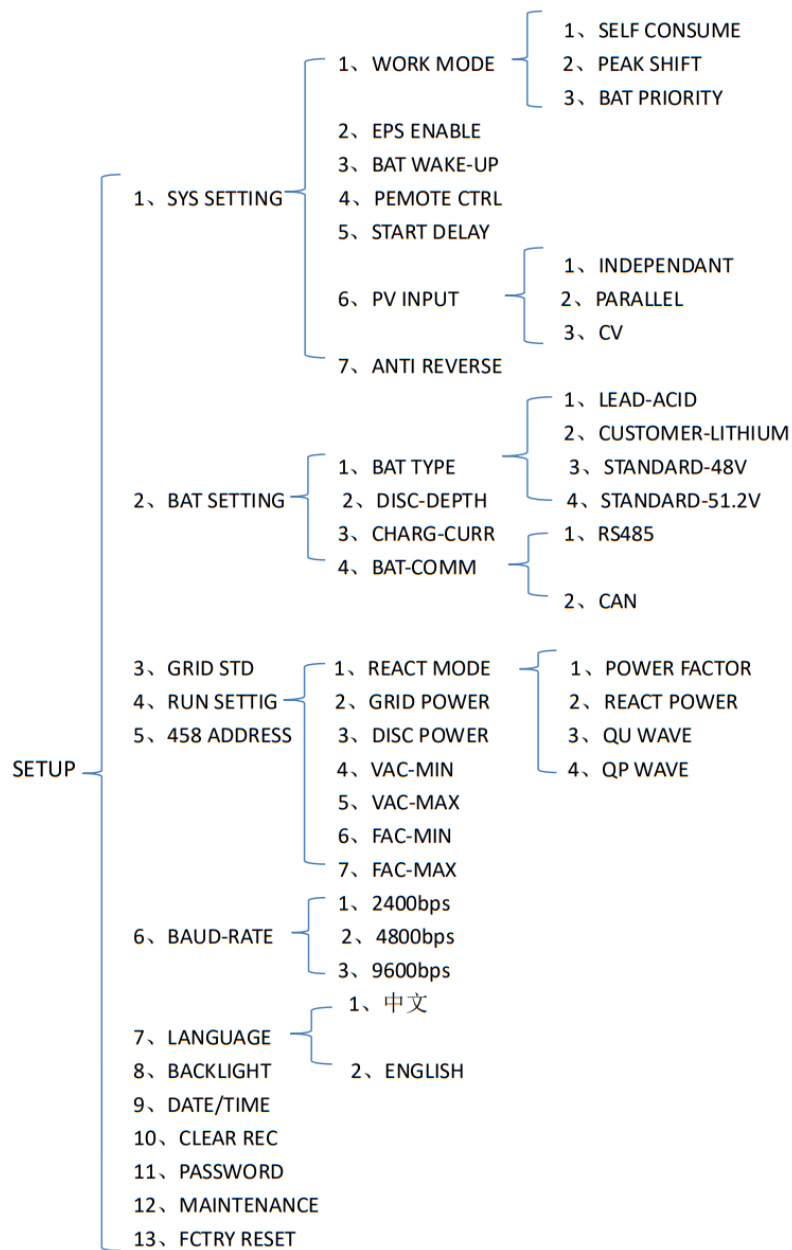


Figure 2.1.6.10 Setting options

Please refer to the [Megarevo inverter manual](#) for more settings.