

## VR-BOX-IC

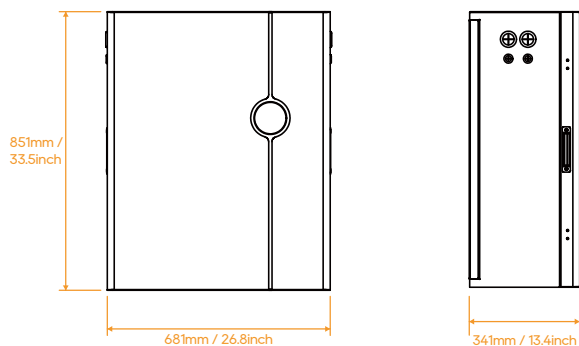
Dual Fit Battery Cabinet



## Mechanical

Load Capacity	10kWh (2 x V5° / V5°α or 2 x E-BOX 48100R)
Dimensions (W x D x H)	681 x 341 x 851mm / 26.8 x 13.4 x 33.5inch
Weight	35.3kg / 77.8lbs
Mount	Wall Mount
Ingress Protection	IP20
Enclosure Material	SGCC (Galvanized Steel)
Cooling	Natural Convection

## Mechanical Drawing



## 3D image

