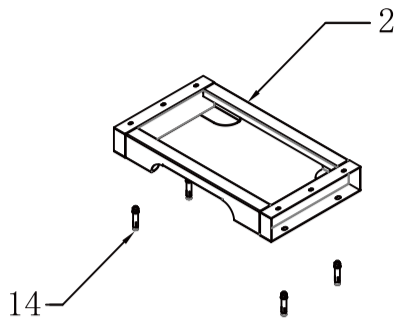


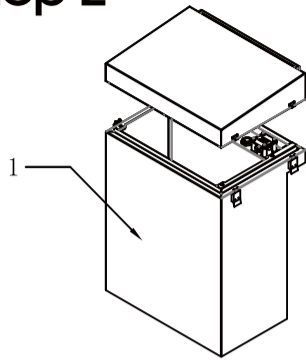
R-BOX-NEMA3 Installation Instructions - Floor Mounting -

Step 1



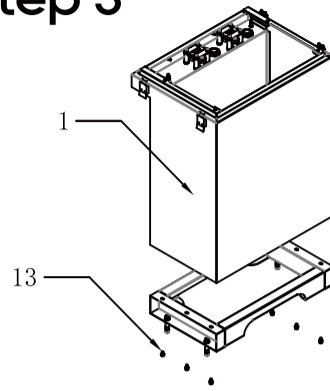
Fix the Floor Mounting Base with expansion screws

Step 2



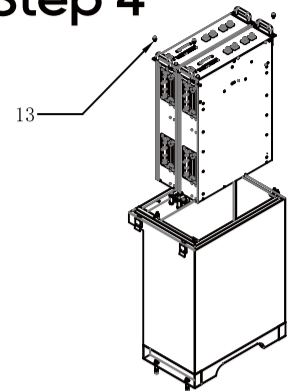
Untwist latches to remove the top cover of main cabinet

Step 3



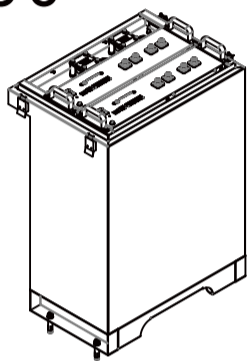
Fix the main cabinet to Floor Mounting Base with M6 screws.

Step 4



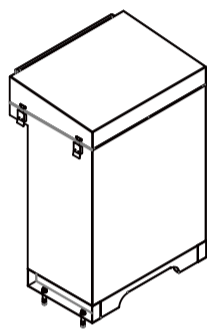
Place the batteries into cabinet as shown in picture and fix them to cabinet with M6 Screws.

Step 5



Cabling.

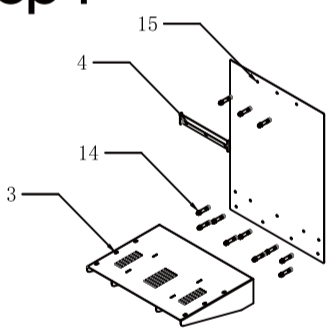
Step 6



Place and lock the top cover to main cabinet by twisting the latches.

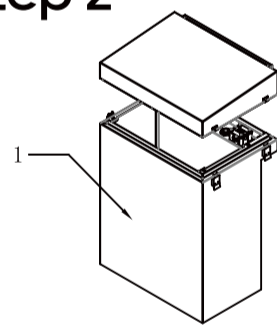
R-BOX-NEMA3 Installation Instructions - Wall Mounting -

Step 1



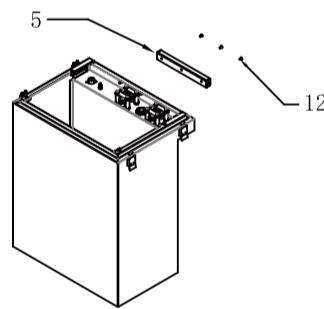
Fix the Wall Mounting Base and Wall Mounting Plate to wall with expansion screws by Positioning Board.

Step 2



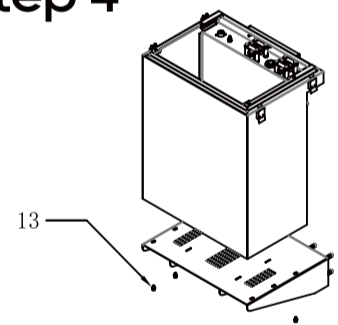
Untwist latches to remove the top cover of main cabinet.

Step 3



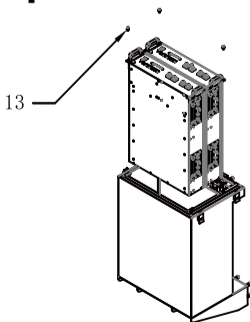
Fix the Wall Mounting Adapter to Cabinet with M4 Screws

Step 4



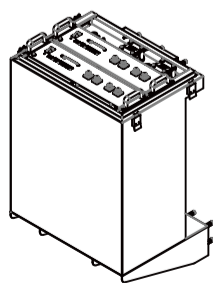
Install the main cabinet to wall by aligning Wall Mounting Adapter to Wall Mounting Plate. Then to fix the main cabinet to Wall Mounting Base with M6 Screws.

Step 5



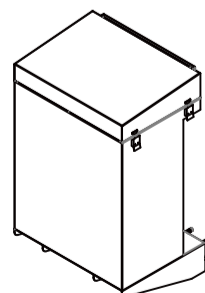
Place the batteries into cabinet as shown in picture and fix them to cabinet with M6 Screws.

Step 6



















Cabling.

Step 7



Place and lock the top cover to main cabinet by twisting the latches.

Packing List

NO.	Items	Quantit	Specifications	Pictures
1	Main Cabinet	1 pcs	20.9"x15.8"x28.9" 530x400.3x734.7mm	
2	Floor Mounting Base	1 pcs	20.9"x11.9"x2.8" 530x301.2x70mm	
3	Wall Mounting Base	1 pcs	20.9"x16.1"x4.7" 530x409Xx120mm	
4	Wall Mounting Plate	1 pcs	10.6"x0.6"x2.1" 270x15x53mm	
5	Wall Mounting Adapter	1 pcs	9.8"x0.8"x1.2" 250x20x30mm	
6	Battery to Busbar Power Cable (Positive)	1 pcs	UL10269-4AWG-220mm-Orange-Amphenol 5.7mm Positive+ SC25-6	
7	Battery to Busbar Power Cable (Positive)	1 pcs	UL10269-4AWG-310mm-Orange-Amphenol 5.7mm Positive+ SC25-6	
8	Battery to Busbar Power Cable (Negative)	1 pcs	UL10269-4AWG-260mm-Black -Amphenol 5.7mm Negative+ SC25-6	
9	Battery to Busbar Power Cable (Negative)	1 pcs	UL10269-4AWG-330mm-Black -Amphenol 5.7mm Negative+ SC25-6	
10	Battery to Cabinet Earthing Cable	1 pcs	UL1015-10AWG-250mm Yellow/Green-SC6-6+SC6-6	
11	Battery to Battery Earthing Cable	1 pcs	UL1015-10AWG-120mm Yellow/Green-SC6-6+SC6-6	
12	M4 Screw	3 pcs	GB/T 70.3-2000 M4x0.3" (8mm)	
13	M6 Screw	10 pcs	ISO 10644G-2014 M6x0.5"(12mm)	
14	Expansion Screw	12 pcs	GB/T 22795(TCQ)-2008 M8x2.0"(50mm)	
15	Positioning Board	1 pcs	20.9"x28.7"x0.06" 530x730x1.5mm	
16	Warning label	1 pcs	2.0"x3.9" 50mmx100mm	

Tools to Prepare

